

# salama



Salama is an outrigger canoe - it has two floats, called outriggers, one on each side of the hull. It comes from Zanzibar in Tanzania and was used for fishing.

If a boat has a mast and a sail, it is naturally unstable in the water; the wind tries to push it over. To counteract the effect of the wind, something is needed to balance the boat. In places with deep waters (like Britain) people put a keel underneath the hull to keep the boat stable, but this is not very good if you want to go fishing close to shore or on coral reefs. So, instead of a keel, outrigger canoes have the floats to keep the boat upright on choppy waters.

Outrigger canoes were used in the Pacific more than 2000 years ago, and the design is still being used today. Salama is made of wood, but modern outriggers can be made of aluminium, plastic or fibreglass.

You can see Salama hanging from the ceiling of the Museum.



# how to make

## you will need

tracing paper

card

sticky tape

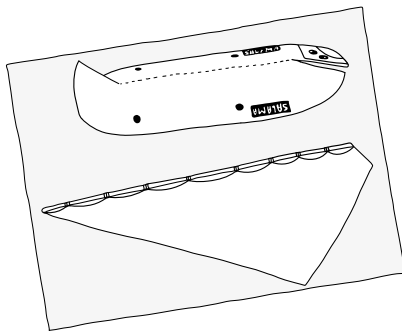
scissors

hole punch

3 drinking straws

2 lollipop sticks

colouring pencils or crayons



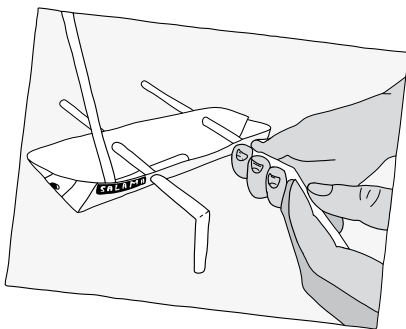
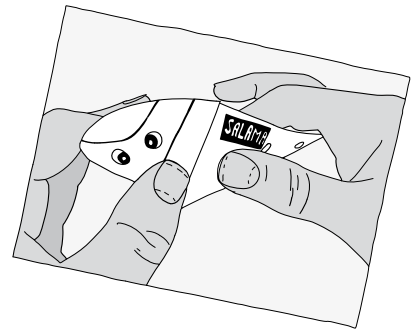
Photocopy or trace the template of the boat and sail on to card.

Colour them in, and then cut them out.

Use a hole punch to make the four holes marked on the template.

Cut along the solid lines on the boat and fold along the dotted line.

Overlap the cut edges and stick in place to make a boat shape.



Take two straws and feed them through the holes on each side of the boat.

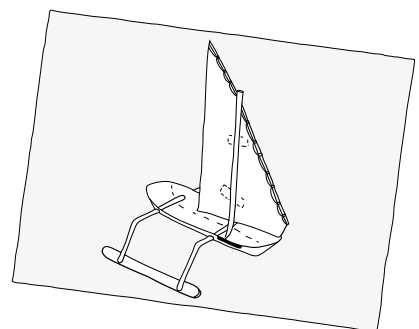
Bend the straws about 2.5 cm from each end.

Stick the lollipop sticks to the straws, one on each side of the boat.

To make the mast: fold the third straw about 5 cm from one end.

Stick the folded end on to the inside of the boat.

Attach the sail to the mast and the front of the sail to the front of the boat - this will help to keep the mast upright.



Why not test how well your outrigger floats in the bath?

# templates

